

- CDMA, RF-Rx Balanced SAW Filter
- Revision 0: November 2012

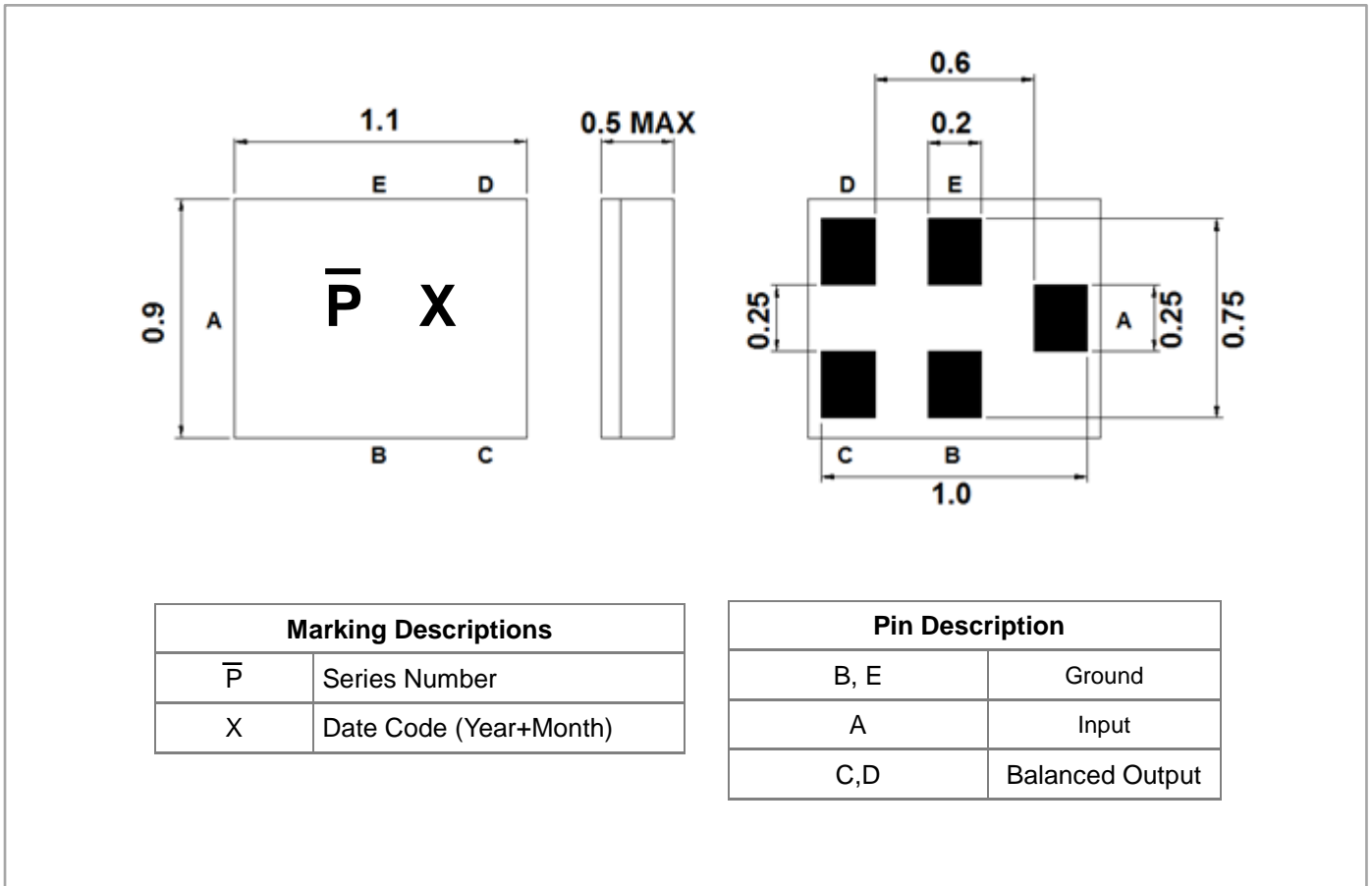
## Electrical Characteristics

MAXIMUM RATING				
PARAMETERS DESCRIPTION	UNIT	MINIMUM	TYPICAL	MAXIMUM
Operating Temperature Range	°C	-30	-	+85
Storage Temperature Range	°C	-40	-	+85
Maximum DC Voltage	V	-	-	-
Maximum Input Power	dBm	-	-	10
Source Impedance (unbalanced)	Ω	-	50	-
Load Impedance (balanced)	Ω	-	100	-
Package type & size	C12			
Length x Width	mm <sup>2</sup>	-	1.1 x 0.9	-
Height	mm	-	-	0.5

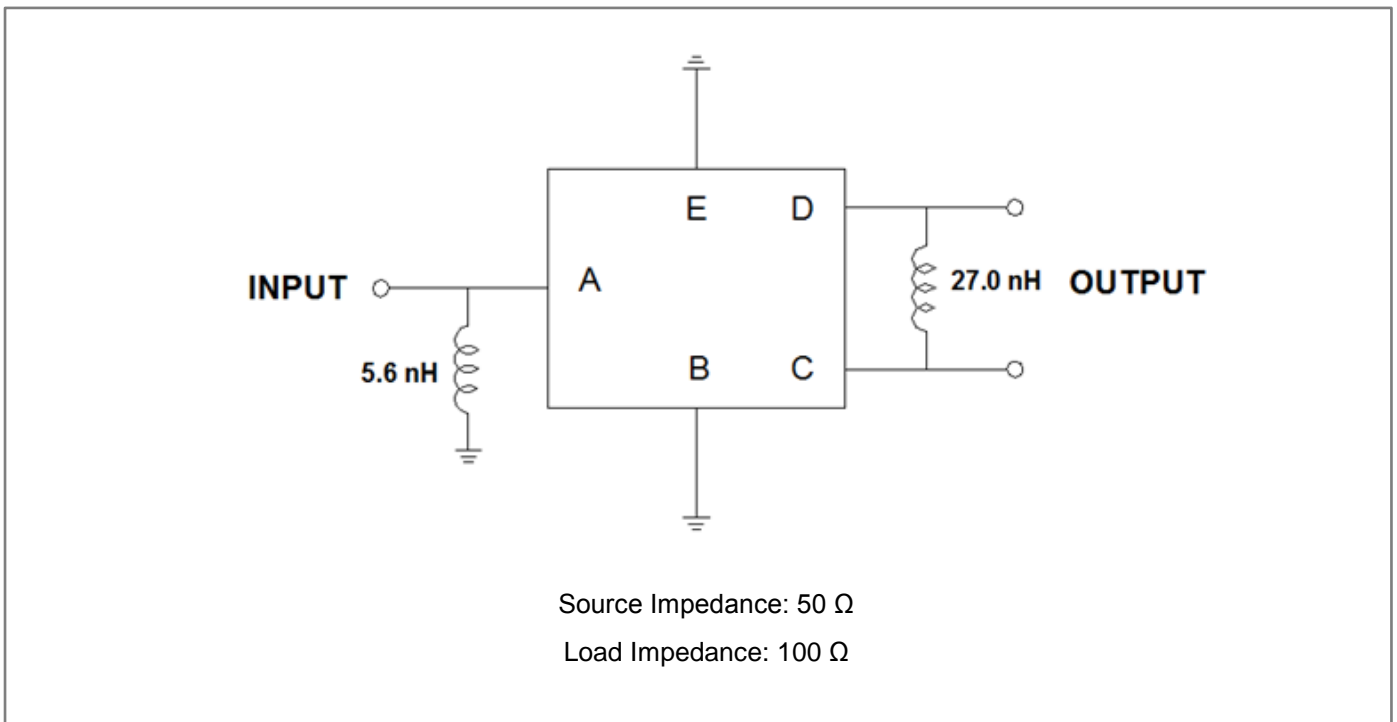
ELECTRICAL SPECIFICATION				
PARAMETERS DESCRIPTION	UNIT	MINIMUM	TYPICAL	MAXIMUM
Center Frequency (Fo)	MHz	-	1567.46	-
Insertion Loss within 1558.50 ~ 1563.70 MHz	dB	-	1.4	2.1
Insertion Loss within 1574.42 ~ 1576.42 MHz	dB	-	1.3	1.8
Amplitude Ripple within 1558.50 ~ 1563.70 MHz	dB <sub>p-p</sub>	-	0.1	0.8
Amplitude Ripple within 1574.42 ~ 1576.42 MHz	dB <sub>p-p</sub>	-	0.05	0.5
<b>Attenuation:</b>				
D.C. ~ 800.0 MHz	dB	45	54	-
1710.0 ~ 1785.0 MHz	dB	23	27	-
1850.0 ~ 1910.0 MHz	dB	35	40	-
1920.0 ~ 1980.0 MHz	dB	35	45	-
2400.0 ~ 2500.0 MHz	dB	35	45	-
2500.0 ~ 2570.0 MHz	dB	35	45	-
VSWR within 1558.50 ~ 1563.70 MHz	-	-	1.6	2.0
VSWR within 1574.42 ~ 1576.42 MHz	-	-	1.7	2.0

**Notes:** (1) With Matching Network (Ref. Testing Environment Circuit as shown below).

## Package Dimensions

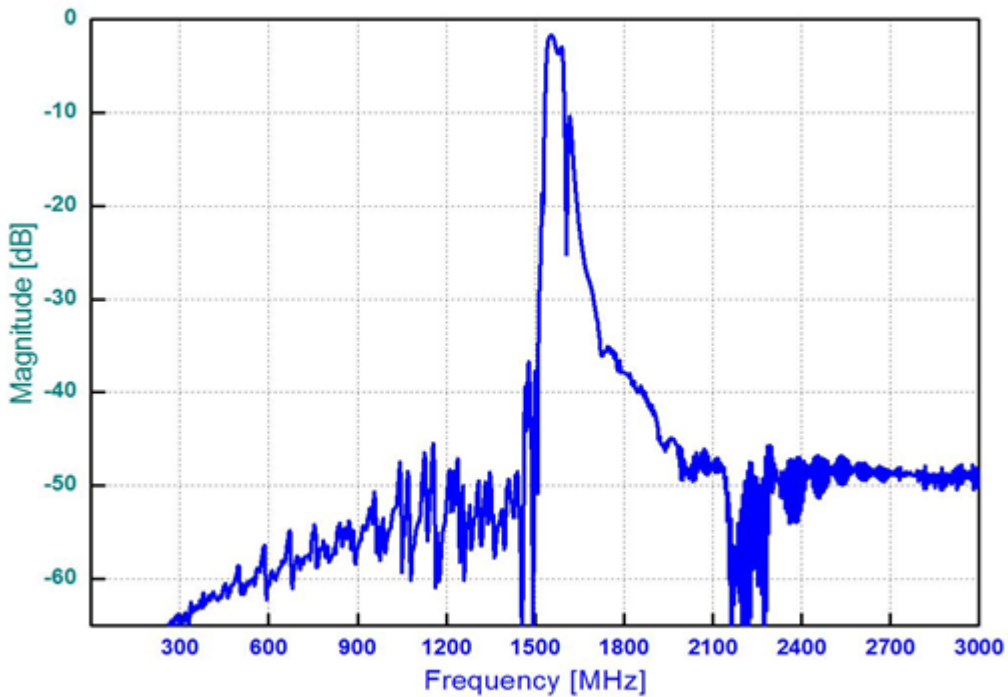
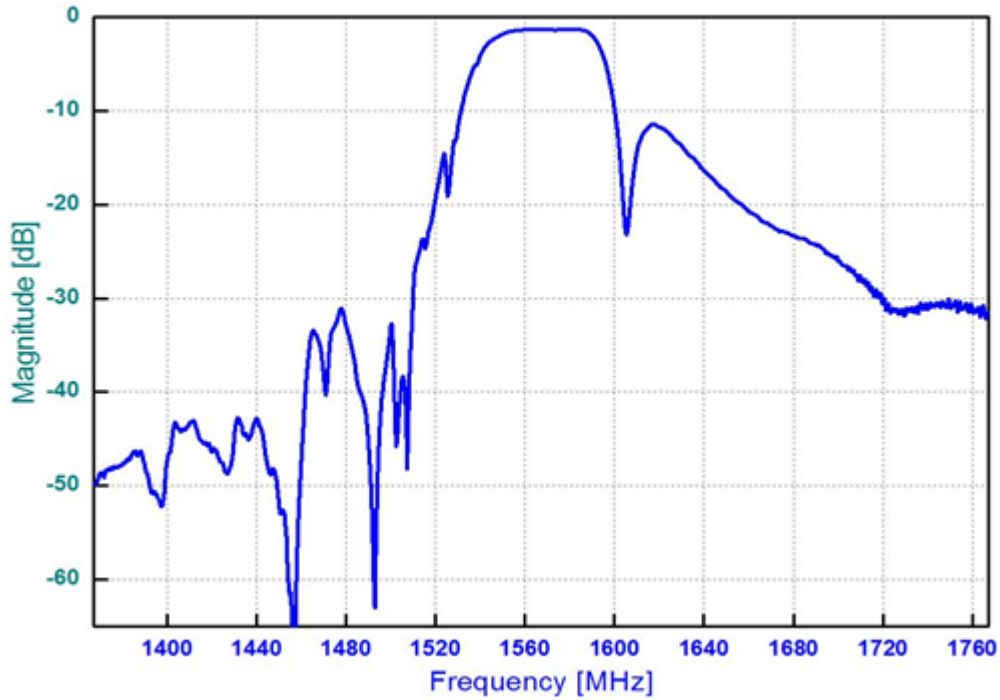


## Testing Environment

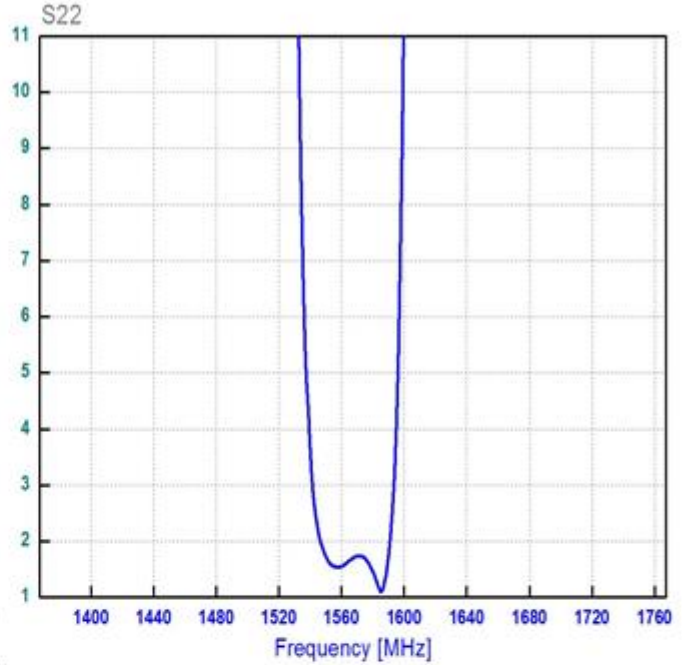
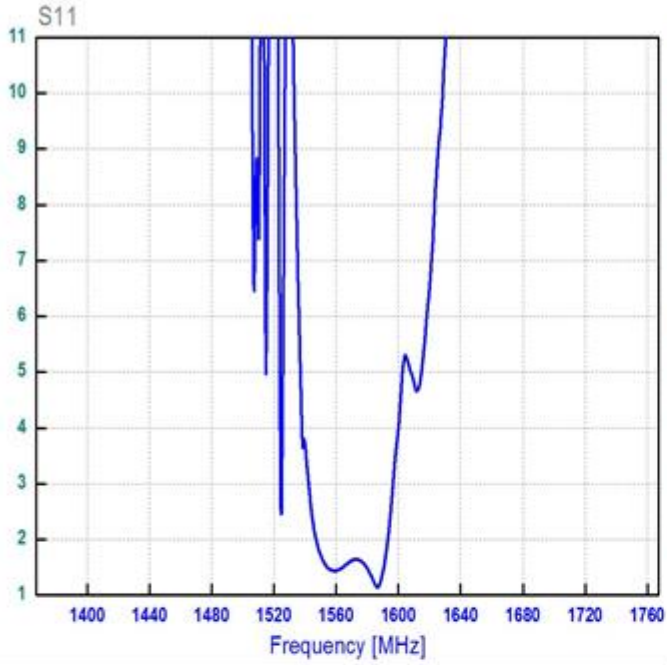


## Frequency Characteristics

Frequency Response



## VSWR



## Smith Chart

